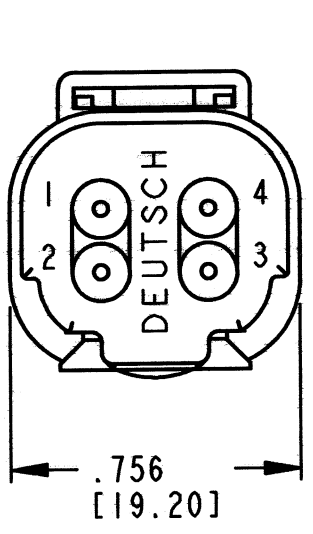
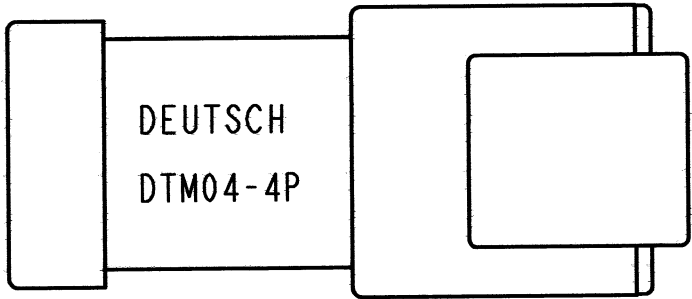
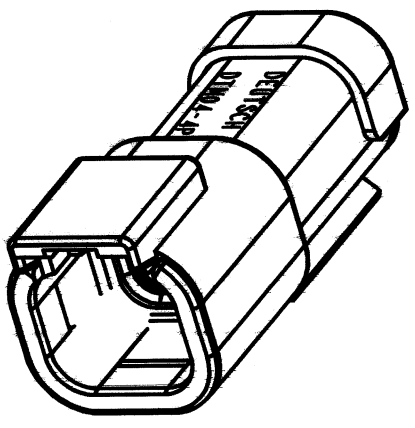
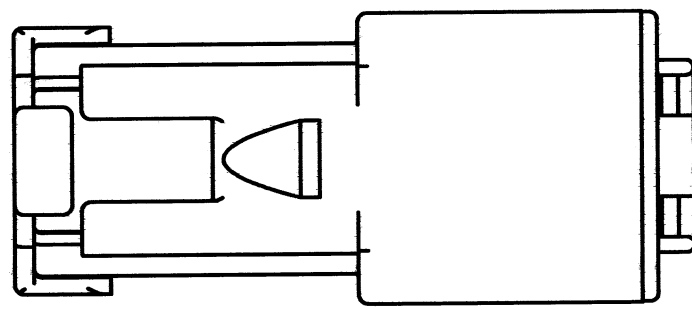
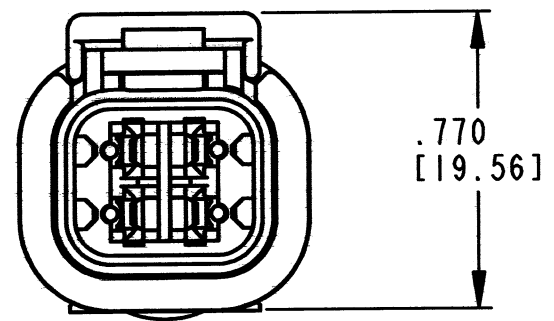
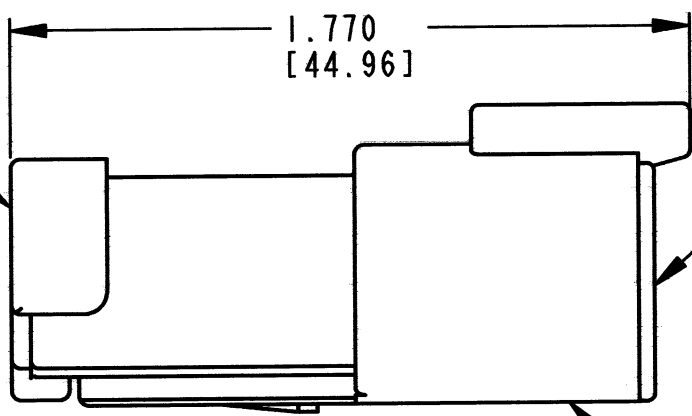


REV NC DTM04-4P-E005

REVISIONS			
SYM	DESCRIPTION	DATE	APPROVED
NC	NEW RELEASE PER E.O. P21375	5-29-12	RDR



7 END CAP



7. PART MODIFICATION. END CAP INCLUDED; HOUSING AND END CAP ARE BLACK.

6. MATERIAL - HOUSING/END CAP: PLASTIC (BLACK); GROMMET: RUBBER.

5. THIS RECEPTACLE MATES WITH DTM06-4S-**** PLUG. (**** = ALL MODIFICATIONS).

4. FOR CONTACT AND WIRE PERFORMANCE AND APPLICATION CHARACTERISTICS SEE ENVELOPE DRAWING 0425-015-0000.

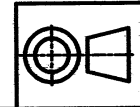
3. SECONDARY WEDGE LOCK SOLD SEPARATELY: WM-4P.

2. DIMENSION TOLERANCE: ±.025 [.64].

1. DIMENSIONS ARE IN INCHES [mm].

NOTES: UNLESS OTHERWISE SPECIFIED

CONTACT SIZE	MIN. INSUL O.D. [mm]	MAX. INSUL O.D. [mm]	WIRE RANGE [mm ²] REF ONLY
20	.053 [.35]	.120 [3.05]	16-22 AWG [1.0-0.5]



SIGNATURE & DATE	
DR	R. MILLIGAN 5/21/12
CHK	B. Buford 5/29/12
PE	R. Willy 5-22-12
APPD	S. Baum 5/23/12
SCALE	NONE WT

4 WAY RECEPTACLE
-E005 MOD.
COLOR: BLACK
DTM SERIES

ENVELOPE

EP NATL. CODE

3850 INDUSTRIAL AVE.
HEMET, CA 92545

DEUTSCH
INDUSTRIAL

B DTM04-4P-E005

DWG SIZE CODE SHEET | OF |